

ETERNITY



WASH BASIN

PRODUCT ID
(RB.ETE.01G101.01.06)

A fine fire clay, counter top Wash Basin with a single tap hole in the centre.

FEATURES

- Fine fire clay wash basin
- Contemporary design
- Integral over flow hole
- Single tap hole in centre
- Fulfills high design and quality expectations

INCLUDED COMPONENTS

- Waste outlet cover
- Faucets not included

WARRANTY

- 25 year written warranty against crazing and dunting

TECHNICAL INFORMATION

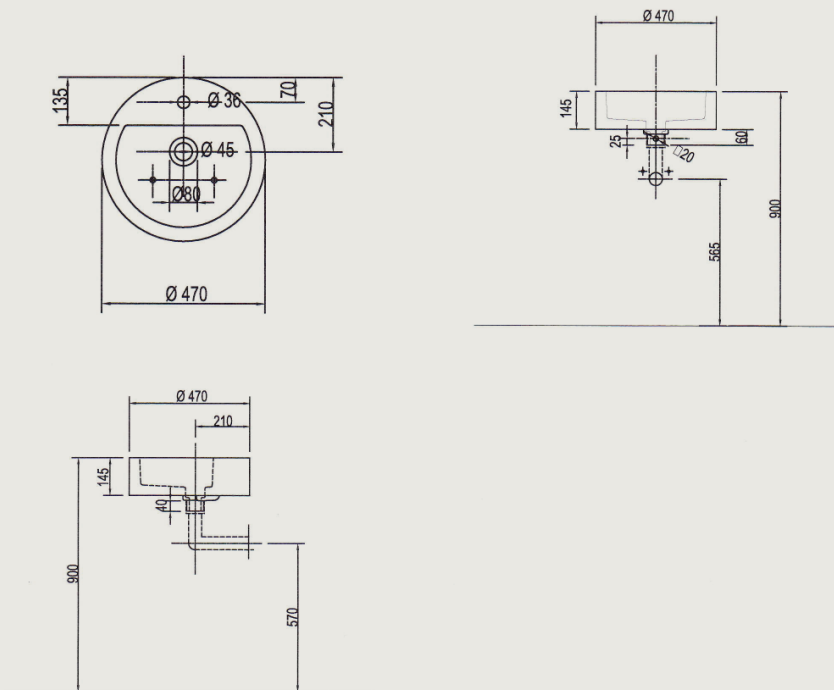
** Approximate measurements for comparison only

CONFIGURATION	FLOOR STANDING BIDET
Weight	13.5 kg
Basin Area	395 x 290 x 105 mm
Height - Floor to Rim	850 mm
Nominal Dimensions	470 x 470 x 195 mm
Faucet Hole	35 mm
Waste Hole	45 mm
Water Depth	35 mm

ETERNITY WASH BASIN

TECHNICAL DRAWINGS

All drawings contain the necessary measurements, which are subject to standard tolerances. They are stated in mm, are drawn on a scale of 1:20 and are non-binding. Exact measurements, in particular for customized installation scenarios, can only be taken from the finished ceramic piece.



INSTALLATION NOTES

- Install this product according to the installation guide
- Scan for instructions



Royal Ceramics Lanka PLC.

No.20, R.A. De Mel Mawatha, Colombo 03, Sri Lanka.

☎ 076 6 223 344 ✉ info@rcl.lk 🌐 www.rocell.com

FOLLOW US



** Dimensions of fixtures are nominal and may vary within the range of tolerance. These measurements are subject to change or cancellation. No responsibility is assumed for use of superseded or voided leaflet.